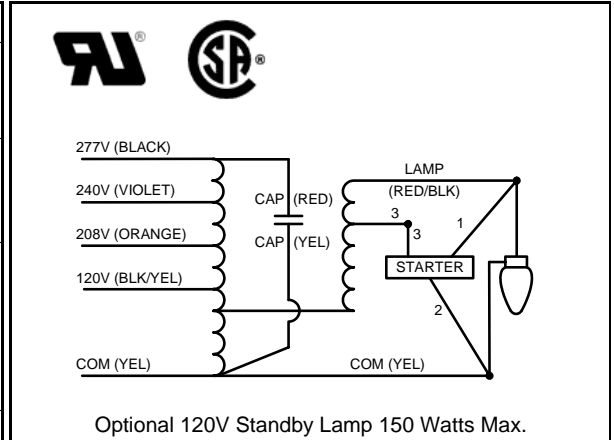


JAMES

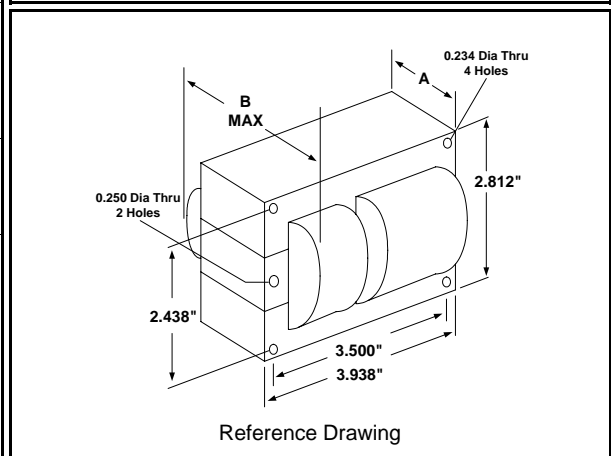
150W CWA Metal Halide 60Hz HX-HPF

Specification Sheet

Input Volts	120	208	240	277	
Regulation					
Line Volts	±5%	±5%	±5%	±5%	
Lamp Watts	±10%	±10%	±10%	±10%	
Power Factor (min)	90%	90%	90%	90%	
Input Watts	185 W	185 W	185 W	185 W	
NOM. Open Circuit Voltage	260 V	260 V	260 V	260 V	
Line Current (Amps)					
Operating	1.60	0.95	0.80	0.70	
Open Circuit	3.40	1.95	1.70	1.50	
Starting	1.60	0.95	0.80	0.70	
Recommended Fuse (Amps)	10	5	5	4	
Lamp Dropout Voltage (Line)	90 V	160 V	185 V	210 V	
UL Temperature Ratings					
Insulation Class	H (180°C)	H (180°C)	H (180°C)	H (180°C)	
Temperature Code	A	A	A	A	
MIN. Starting Temperature	-22°F -30°C	-22°F -30°C	-22°F -30°C	-22°F -30°C	
CAPACITOR Specifications					
Microfarads	16 uf	16 uf	16 uf	16 uf	
Volts (min.)	280 V	280 V	280 V	280 V	
60Hz Test Procedures					
High Potential Test 1 Minute	2000 V	2000 V	2000 V	2000 V	
High Potential Test 1 Second	2500 V	2500 V	2500 V	2500 V	
Secondary Open Ckt Voltage (V)	230 - 290	230 - 290	230 - 290	230 - 290	
Secondary Current Shorted (A)	2.00 - 2.70	2.00 - 2.70	2.00 - 2.70	2.00 - 2.70	
Input Operating Current (A)	1.50 - 1.90	0.85 - 1.10	0.75 - 0.95	0.65 - 0.85	
Input Open Circuit Current (A)	1.70 - 5.00	0.95 - 2.90	0.85 - 2.50	0.70 - 2.15	
Input Short Circuit Current (A)	1.20 - 2.10	0.65 - 1.20	0.60 - 1.05	0.50 - 0.90	
Core and Coil Specifications					
Dimension A	2.38 in	2.38 in	2.38 in	2.38 in	
Dimension B	3.70 in	3.70 in	3.70 in	3.70 in	
Weight	7.00 lbs	7.00 lbs	7.00 lbs	7.00 lbs	
Lead Lengths (inches)	12-14	12-14	12-14	12-14	
Coil Material (Pri. / Sec.):	Cu / Al	Cu / Al	Cu / Al	Cu / Al	



Optional 120V Standby Lamp 150 Watts Max.



Reference Drawing

Capacitor: R17058522	Ignitor: MH100-3A
Max Case Temp: 100 °C	Max Case Temp 105 °C
Height: 2.83 in	BTL: 10 ft
Width / Diameter: 1.65 in	

Oil Cap. - P/N 005-1498-MF Consult Catalog for Specs.

James Lighting Technology Corporation

24/7 Availability Phone: 0086 18650992129

Sales@ballustrus.com

www.ballustrus.com